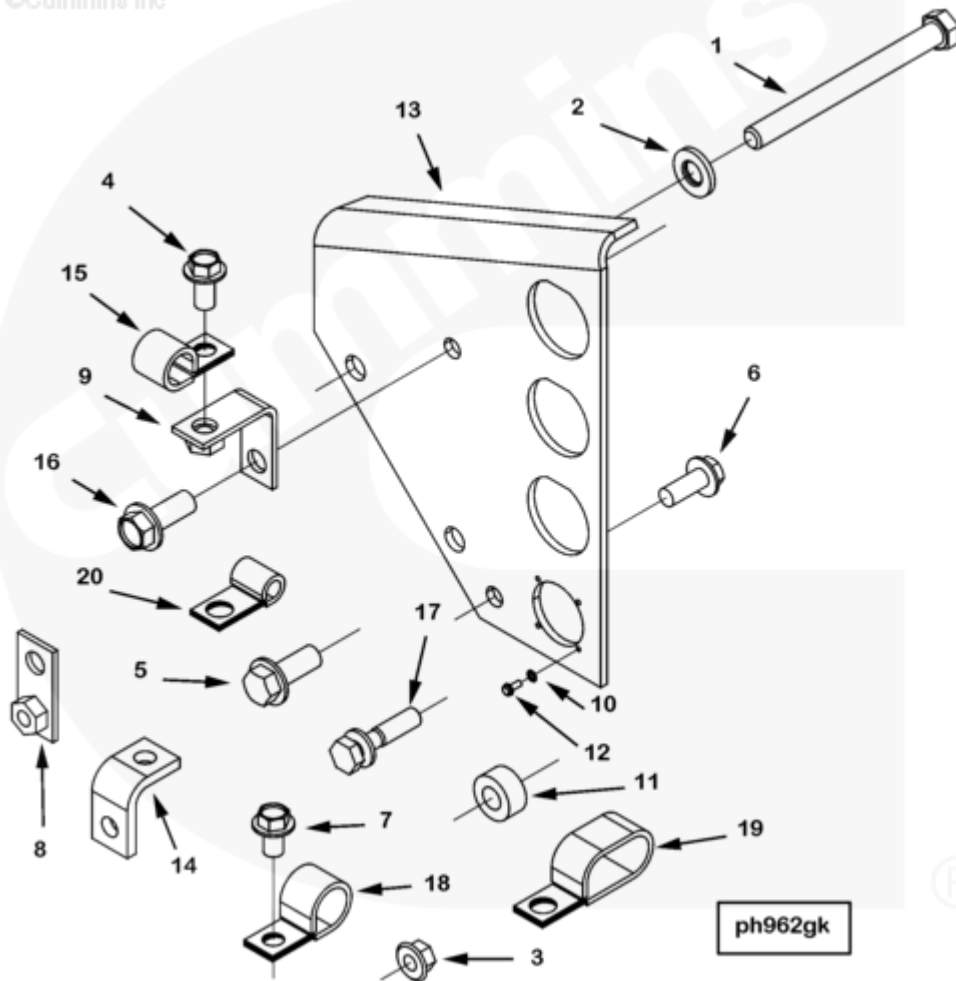




Parts Catalog - Option Detail

Electronic Parts Catalog - Option Detail				
Option	Group	Graphic	Film Card	Date
PH50021	05.06.1	ph962gk	P23	08-SEP-08
Engines	QSK23 CM2250 K109, QSK23 CM500			

©Cummins Inc



SMALL | MEDIUM | LARGE

Cart	Ref No	Part Number	Part Description	Required	Remarks
View My Cart					
		PH50021	Engine Control Module Mounting		
					Eng cnt module mounting
					for QSK23 bof engines for
					service

					not for production
<input type="checkbox"/>	1	3093772	Hexagon Head Cap Screw	2	M12 x 1.75 x 130.
<input type="checkbox"/>	2	3093778	Plain Washer	2	
<input type="checkbox"/>	3	3093828	Hexagon Flange Nut	2	M10 X 1.50.
<input type="checkbox"/>	4	3093931	Hexagon Flange Head Cap Screw	1	M10 X 1.50 X 20.
<input type="checkbox"/>	5	3863730	Hexagon Flange Head Cap Screw	1	
<input type="checkbox"/>	6	3864129	Hexagon Flange Head Cap Screw	2	
<input type="checkbox"/>	7	3864166	Hexagon Flange Head Cap Screw	1	
<input type="checkbox"/>	8	3864187	Sensor Bracket	2	
<input type="checkbox"/>	9	4095718	Tube Brace	1	
<input type="checkbox"/>	10	4095860	Bevel Washer	4	
<input type="checkbox"/>	11	4096027	Mounting Spacer	1	
<input type="checkbox"/>	12	4096046	Captive Washer Cap Screw	4	
<input type="checkbox"/>	13	4096200	Connection Bracket	1	
<input type="checkbox"/>	14	4096259	Connection Bracket	1	
<input type="checkbox"/>	15	4096321	Clip	1	
<input type="checkbox"/>	16	4096712	Captive Washer Cap Screw	1	
<input type="checkbox"/>	17	4096723	Captive Washer Cap Screw	1	
<input type="checkbox"/>	18	4096740	Clip	1	
<input type="checkbox"/>	19	4096742	Clip	2	
<input type="checkbox"/>	20	4096759	Clip	1	